



Electronic Sensors, Inc.

THE CONTACTOR™

Description & Applications

The Contactor cellular remote monitor is a wireless remote transmitter unit (“RTU”) for monitoring the condition of a set of wires via the cellular telecom network. The reported conditions of the wires are touching or not touching.

Contactor connects to:

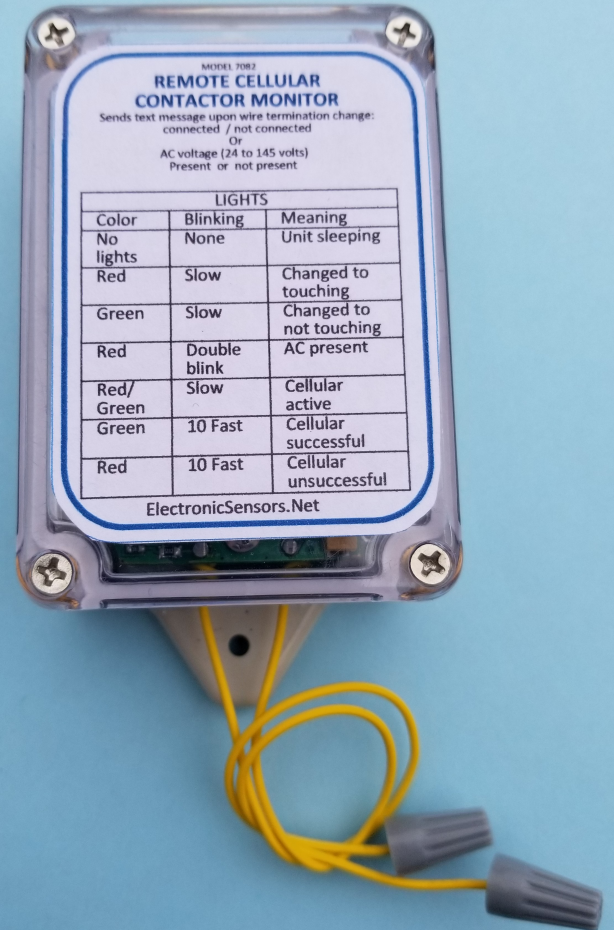
- Relays
- Floats
- Limit switches
- Pressure mats
- Metal plates

The Contactor can provide numerous answers:

- Is the door locked?
- Is the water level below 2 feet?
- Is the fan electricity on?
- Is the temperature below 55F?
- Is the water flowing?

Ask a Yes or No question, and the Contactor will answer, day or night, within seconds.

Includes 120 VAC Detection On/Off Reporting



Features

The Contactor is self-contained, battery-powered, activated and ready-to-use, right out of the box. Hook its wires to any set of dry contacts, and access your data through the Remote Contactor App.

Enter your cell phone number and the question you need answered and you are ready to go.

Set alerts to provide up to 10 phones the text answer to your question, even if the cell phone does not have the Remote Contactor App. Installed, the answer will be shared with those that need to know.

For as little as \$10 a month (about a penny an hour)

Add a watchful eye to your team.

Know what's going on with your equipment in the field without having to be in the field.

Know your customers' needs before they do to provide best in industry service.

Answer your questions in any weather without going out IN the weather.

Electronic Sensors, Inc.

Phone: 316-267-2807 | e-mail: office@electronicsensors.net | www.electronicsensors.net



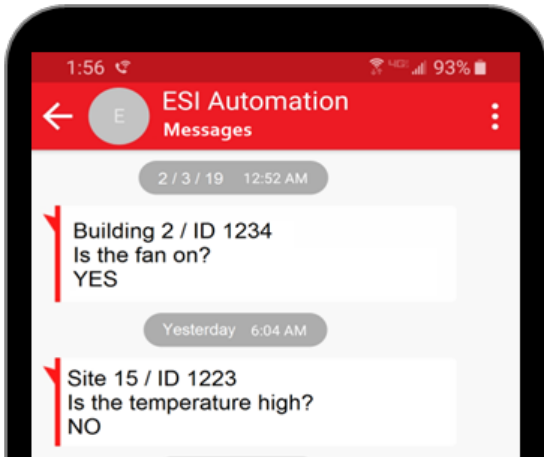
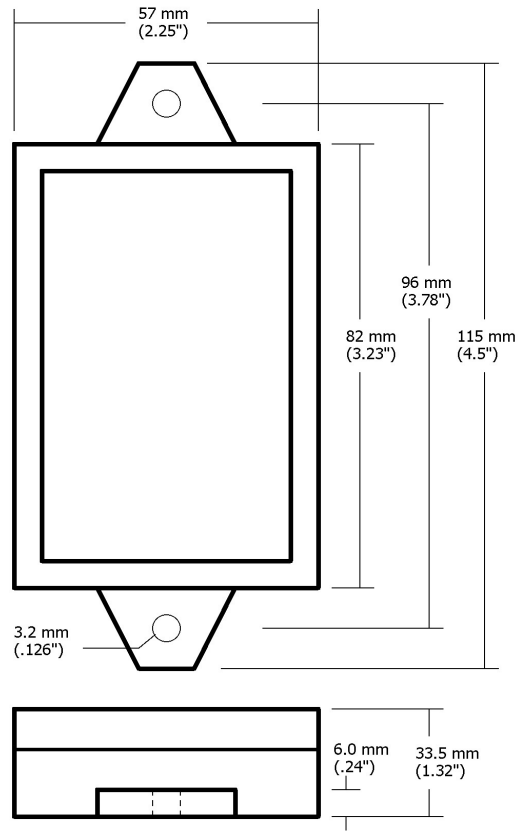
Electronic Sensors, Inc.

THE CONTACTOR™

The Remote Contactor App (Available from Apple store and the Google Play store)

With the Contactor smart phone App, you can control every one of your Contactors: Enable/disable Contactors, add/remove users and alerts, change alert messages, setup timed reports, and display report history.

Specifications	
Parameter	Value
Inputs	2-wires: 8-inches(200mm) 20AWG
Contact capture time	Adjustable 0 sec. to 1 hour (default 7 sec.)
Carrier	Verizon, AT&T, T-Mobile and others... (Any 4G LTE CAT M1 or NB1)
Indicators	2 LEDs Red & Green
Replaceable Battery	3.6 volt battery with booster ESI PN: BATT3.6V-LCB
Battery life	Over 700 updates (2 years at 1 report per day)
Temperature	-40F to 140F (-40C to 60C)
Case	Gasket sealed PVC; Weatherproof & UV protected
Weight	4oz, 113g
Warranty	1 year (not including battery)
<i>Specifications subject to change without notice</i>	



The Contactor App Display

Quickly answer your questions that:

- Save you money
- Drive action
- Deliver peace of mind

Purchase Options

One Year: \$ 67 for device + \$132 for data service and monitoring (12 months @ \$11/mo.) = \$199

Five Years: FREE device + \$600 for monitoring (60 months @ \$10/mo.) = \$600

Spare batteries are available through ESI for \$12 each.

Phone: 316-267-2807 | e-mail: office@electronicsensors.net | www.electronicsensors.net